

# POWER SUPPLIES



## CLASS 2 CONTROL TRANSFORMER 691-U100



### DESCRIPTION

The **691-U100** is a UL listed Class 2, 100 VA stepdown transformer designed to provide nominal 24 VAC from a 120 VAC primary supply. The **691-U100** is ideal for heating/cooling control systems where a large capacity Class 2 control transformer is needed.

### FEATURES

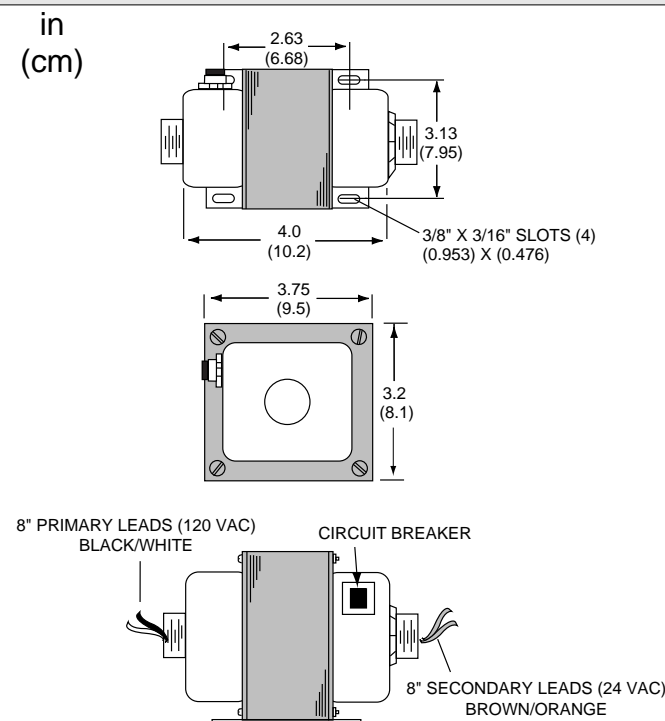
- *UL listed - Class 2*
- *Resettable secondary circuit breaker*
- *Metal end bells*
- *Dual threaded hubs*
- *Foot or hub mounting*
- *Made in the USA*



### SPECIFICATIONS

<b>Input Voltage</b>	120 VAC
<b>Output Voltage</b>	24 VAC
<b>VA rating</b>	100 VA
<b>Frequency</b>	50/60 Hz
<b>Ambient temperature without derating</b>	32 to 104°F (0 to 40°C)
<b>Circuit breaker</b>	Manual reset, 5A trip
<b>Configuration</b>	Metal end bells with dual threaded hubs
<b>Conduit connection</b>	(2) 1/2" male connector
<b>Shipping weight</b>	4.9 lbs (2.2 kg)
<b>Approvals</b>	UL listed - Class 2 file #E95575

### DIMENSIONS / WIRING



### ORDERING INFORMATION

#### MODEL

691-U100

#### DESCRIPTION

Class 2 Control Transformer, 120:24 VAC, 100 VA