



FIREYE ACCESSORIES

FIREYE now offers a full selection of accessories for use with Fireeye controls to increase their versatility, deal with special installation situations and provide additional indication or control functions.

GENERAL



51CQ1 Model 1006

Manual starting and "flame-on" indicator switch for use with UVP-4 and UVP-4S systems. Two sets NO, two sets NC contacts, rated 10A, 300 VAC, NEMA 1 enclosure.



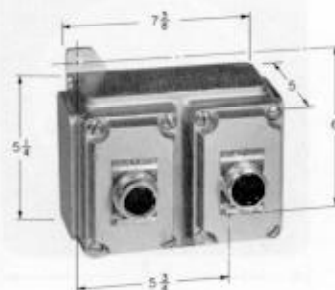
51AF12

Manual start-stop station for use with UVM-1 systems. Operates through T-T circuit. NEMA 1 enclosure.



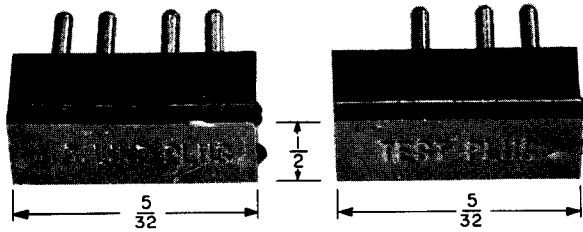
51CQ1 Model 1000

Manual starting and "flame-on" indicator switch for use with FP-4 systems. Two sets NO, two sets NC contacts, rated 10A, 300 VAC, NEMA 1 enclosure.

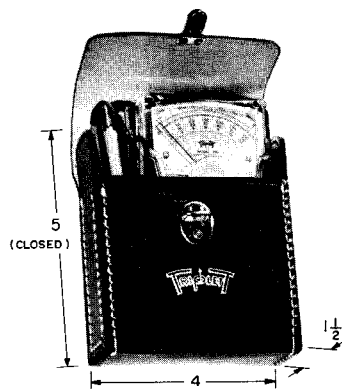


51CQ1 Model 1001

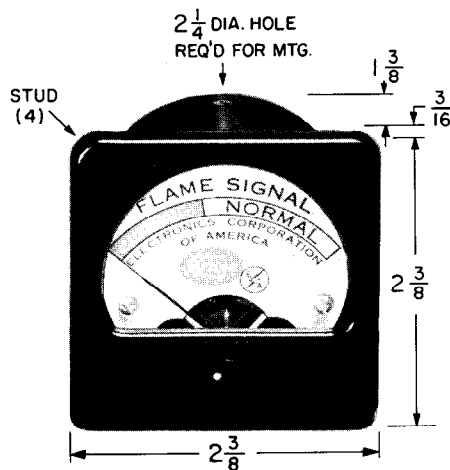
Same as 51CQ1 Model 1000 except explosion-proof enclosure.

**10-90**

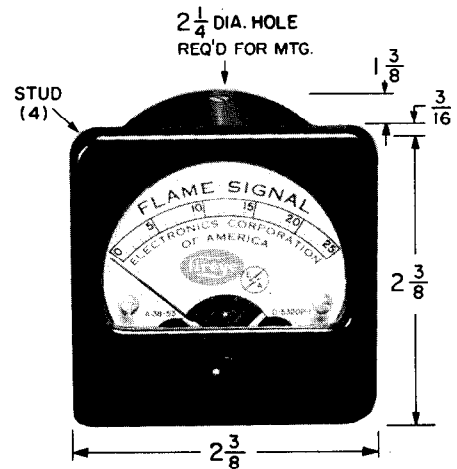
Three-prong test plug replaces the AC line plug in P-series and J-series multivoltage controls, electrically disconnecting the timer motor to permit manual control of the firing cycle.

**38-42**

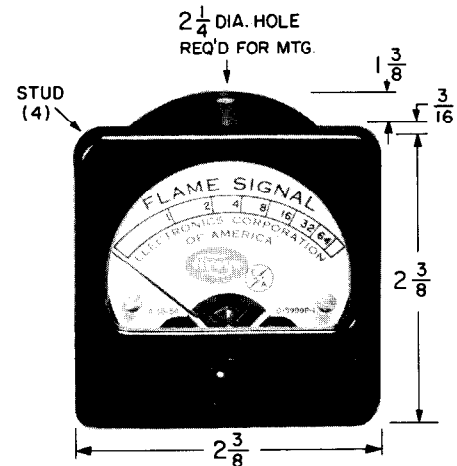
Versatile multimeter for checking flame signal, continuity, live voltage and other control circuit functions. Complete with leads and leather carrying case.

**38-33**

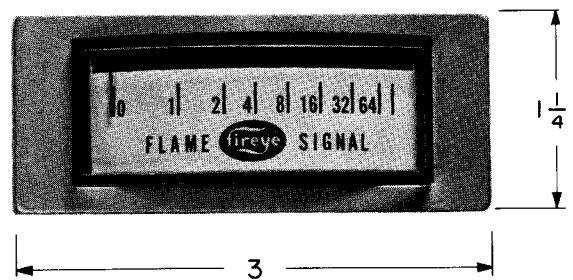
Flame Signal Meter for 26RJ8, 26SJ5, 29RF5. Indicates LOW and NORMAL flame signal strength.

**38-53**

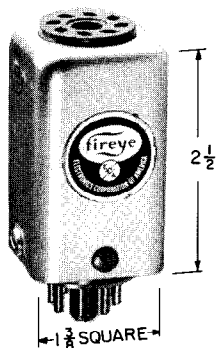
Flame Signal Meter for 25RU8, 25CU6 and 25DU4. Calibrated 0-25 volts DC.

**38-54**

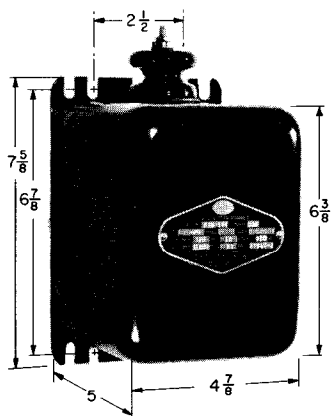
Flame Signal Meter for 25SU5-1011 and 25SU5-4011. Calibrated in flame signal strength units, 0 to 64.

**38-55**

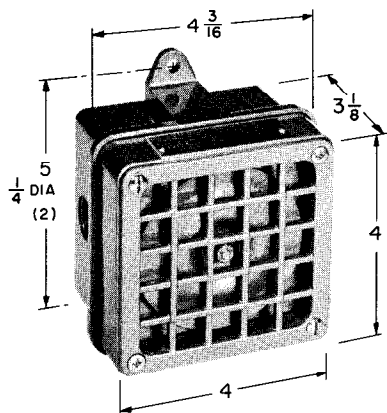
Horizontal Flame Signal Meter for 25SU5-1011 and 25SU5-4011. Calibrated in flame signal strength units, 0 to 64. Log scale.



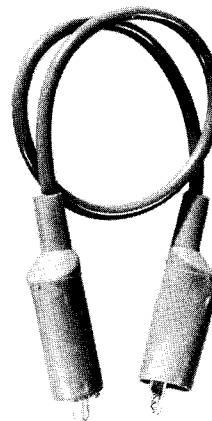
60-337
Flame Signal Attenuator for 1000-series FP and FJ controls.



5-185
Ignition Transformer. Primary 115 VAC. Secondary 10,000 volts. Single terminal. Also available, P/N 5-106. Primary 230 VAC. Secondary 7,500 volts. Single terminal.

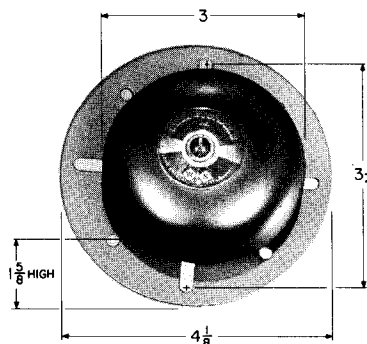


104-15
Alarm Horn. 115 VAC. Weather-proof construction. Also available, P/N 104-16 for 115 VDC; 104-17 for 220 VAC; 104-18 for 220 VDC.

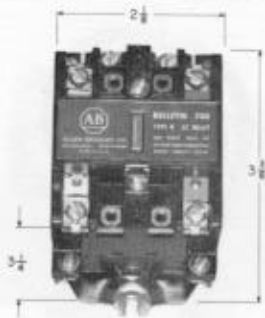


60-460
Flame Signal Attenuator. Permits reducing flame signal amplifier sensitivity 40% for test purposes. Used in testing 6000 series FP and FJ controls.

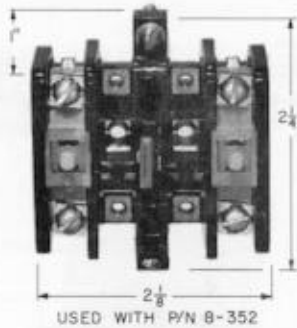
MTG. PLATE FITS STANDARD 3" & 4" ROUND BOXES



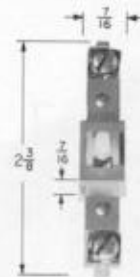
104-7
Alarm Bell. 115 VAC. Mounts on 3" or 4" round box. Three-inch diameter bell rotates to adjust volume.

**8-352**

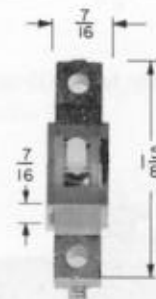
Modular Relay, two pole, N.O. easily convertible to N.C. for general control circuit use. Contact rating- 10 A-300 VAC non-inductive power consumption approximately 30 Watts.

**8-359**

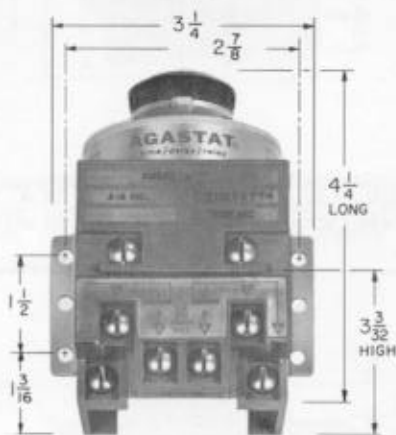
Second Deck may be added to first deck to provide two additional contacts either normally open or closed. 10 A-300 VAC rating.

**8-350**

Contact Assembly for First Deck may be added to 8-352, providing maximum of four contacts either normally open or closed on first deck. 10 A-300 VAC rating.

**8-360**

Contact Assembly for Second Deck may be added to provide maximum of four contacts either normally open or closed on second deck. 10 A-300 VAC rating.



For timing prepurge, postpurge, trial for ignition, non-recycling, pilot cutoff, scanner sequencing, etc. Power consumption approximately 8 Watts. Three types available:

8-390

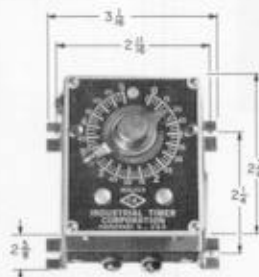
Timer DAE, DPDT +1 - Instant close, Instant open, 10 A-120 VAC. 0.5-10 min. adjustable.

8-389

Timer DADE, DPDT +1 - Instant close, Instant open. 5A220V, 2.5-50 sec. adjustable.

8-388

Timer DADE, DPDT. 10 A-120 VAC, 0.8-15 sec. adjustable.

**45-63**

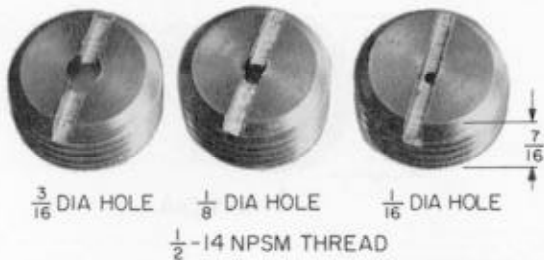
Motor driven timer for general timing applications. Delay after energization adjustable from 10 seconds to 5 minutes. FM approved. Control circuit, 115 VAC. Power consumption approximately 10 Watts. SPDT contacts rated 10 A-220 VAC.



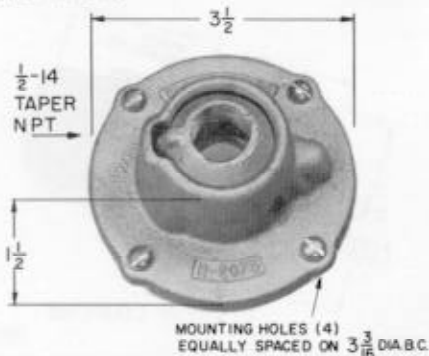
35-69
Heat Insulator. Reduces conduction of heat from sight pipe to scanner. Used with 48PT1, 48PT2, UV-1. 1/2" pipe connection.



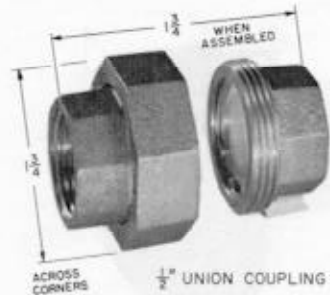
10-15
Blank Orifice Plug. Can be drilled to any size required. 1/2" pipe thread.



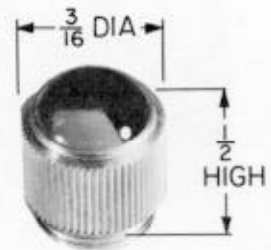
10-88
Set of 3 Orifice Plugs. Drilled 1/16", 1/8", 3/16". 1/2" pipe thread.



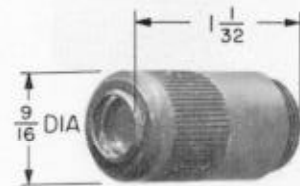
60-302
Swivel Mounting Adapter. Simplifies scanner sighting. Used with 48PT1, 48PT2 and UV-1. 1/2" pipe connection.



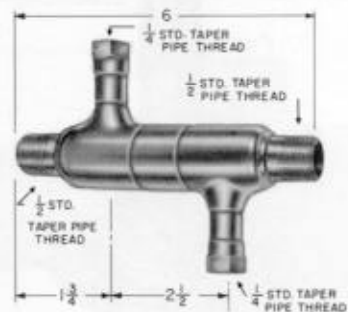
61-801
Sealing Union with Pyrex window. Seals scanner sight pipe against excessive firebox pressure. 100 p.s.i.g. rating. Used with 48PT1, 48PT2. 1/2" pipe connection.



61-436
Lens Cap (standard). Replacement for all 48PT1 and 48PT2 models.

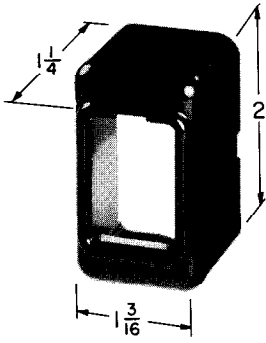


61-1220
Lens Cap (flat window). Optional for all 48PT1 and 48PT2 models.

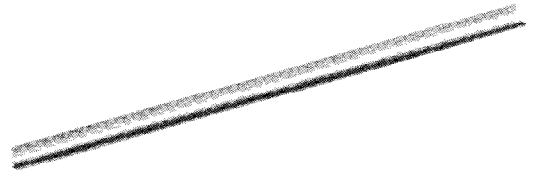


35-75
Water Cooled Adapter. Used to keep scanner temperature within proper operating limits. 1/2" pipe connection (male both ends) for scanner. 1/4" pipe connection (female both ends) for water.

TFC SYSTEM

**61-2341**

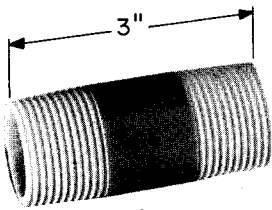
Pyrex filter with holder. Used on 45CM1 photocell mount. Reduces UV and visible radiation to phototube.

**A18-9-1**

Kanthal Flame Rod, 1/4" diameter, 2460° F.

A18-9-1: 18" long. A18-9-2: 24" long. A18-9-3: 36" long.

UV SYSTEMS



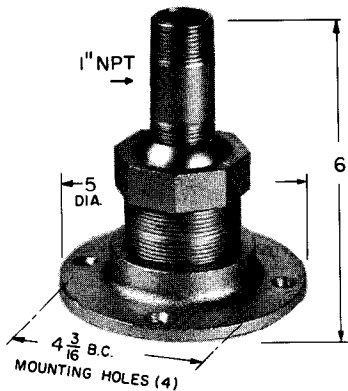
O.D. = 1.315

I.D. = 1.062

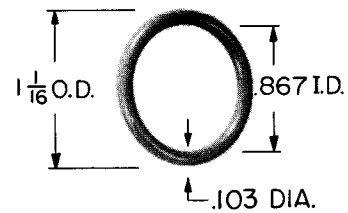
STD 1" NPT - BOTH ENDS

35-127

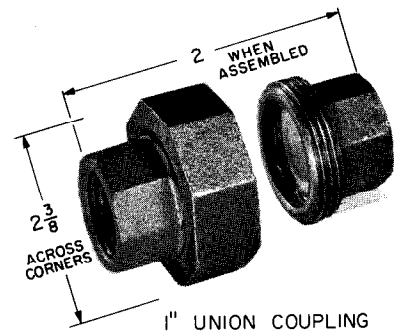
Heat Insulating Nipple (Epaglas) for use with 45UV1, 45UV5. 1-inch pipe size, male both ends. Used to reduce conduction of heat from scanner mount to scanner.

**60-1178-6**

Scanner Swivel Mount for use with 45UV1, 45UV5. Simplifies scanner sighting.

**29-190**

Silicone rubber Pressure Sealing Ring for use with 45UV2 and 45UV3 scanners.

**60-1199**

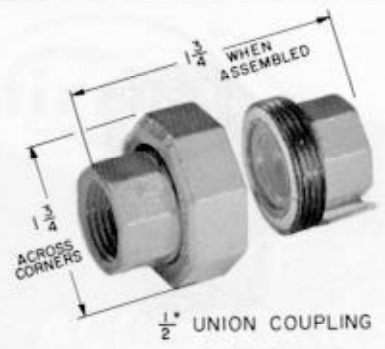
Sealing Union with Quartz Window. Seals scanner sight pipe against excessive firebox pressure. 1" pipe thread. Used with 45UV1, 45UV2, 45UV3, 45UV5.



46-56
 Quartz Lens. Used with 45UV2 and 45UV3 to increase scanner sensitivity. Replaces quartz window in scanner.

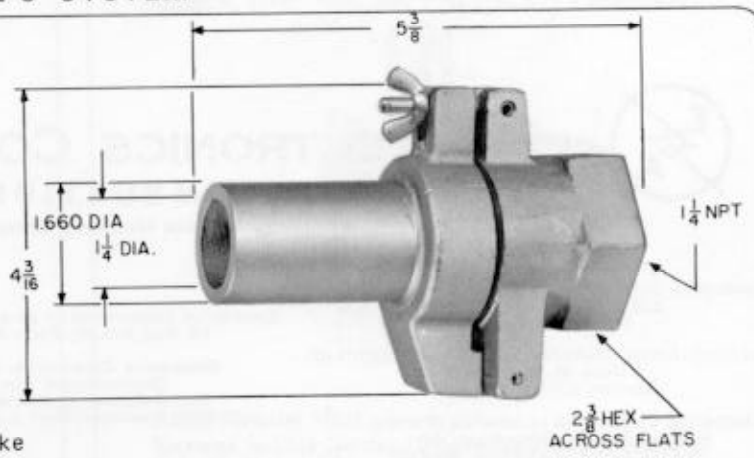


58AS1
 Solenoid operated light gate cuts off scanner view of pilot in standing pilot installations during shutdown portion of operating cycle. Also used on UVM multiple scanner installations for sequencing, for separate standing pilot and main flame proving in dual scanner installations, or for proving main flame only with intermittent pilot operation.



60-1257, 60-1290
 Sealing Union with Quartz window (60-1257). 60-1290 has quartz lens to increase scanner sensitivity. 1/2" pipe thread. Used with UV-1, UV-2.

FE-3 SYSTEM



60-280
 Pressure-tight mounting adapter. Used to prevent positive pressure in breaching from reaching light source (44DY1) and scanner (47FU9) in FE-3 smoke density systems.