

# ACCESSORIES

## MISCELLANEOUS ELECTRODES AND MOUNTING BRACKETS

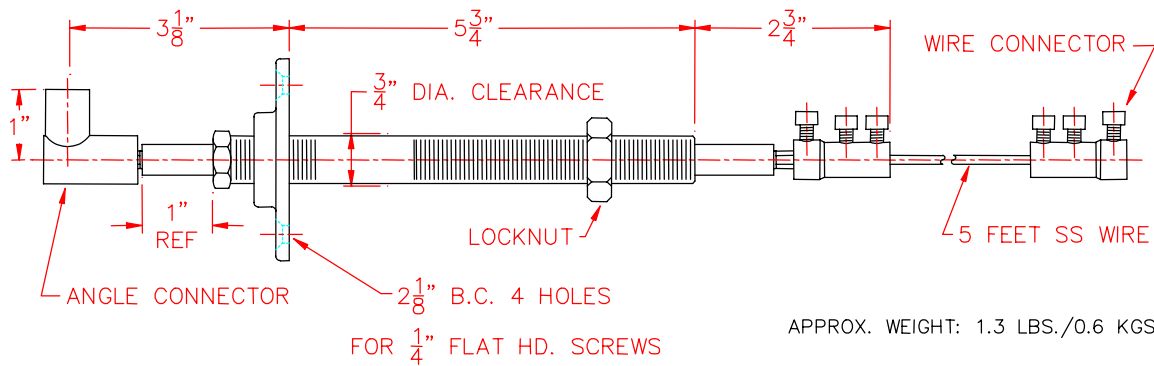
MODEL: 5805-2006-DO, 5805-DSE

Revision: 0

BULLETIN  
5805



### DIMENSIONS -- 5805-2006DO WALL ELECTRODE ASSEMBLY



**CAUTION:** Operation of combustion equipment can be hazardous resulting in bodily injury or equipment damage. Each burner should be supervised by a combustion safeguard and only qualified personnel should install, make system adjustments and perform any required service.



**pyronics inc.**

COMBUSTION FOR INDUSTRY

17700 MILES ROAD  
CLEVELAND, OH 44128  
www.pyronics.com

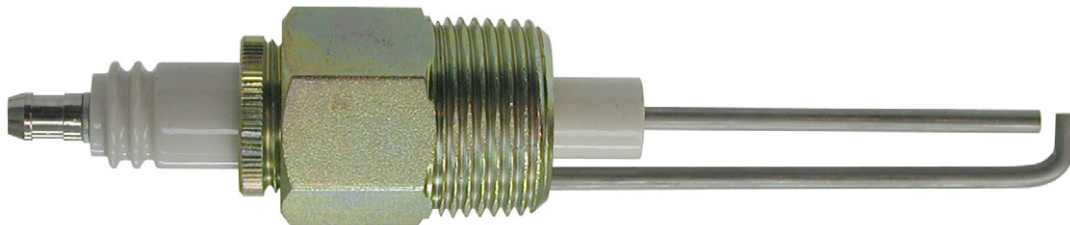
Tel: 216-662-8800  
Fax: 216-663-8954  
marketing@pyronics.com

**NOTICE:** PYRONICS practices a policy of continuous improvement in the design of its products. It reserves the right to change the specifications at any time without prior notice.

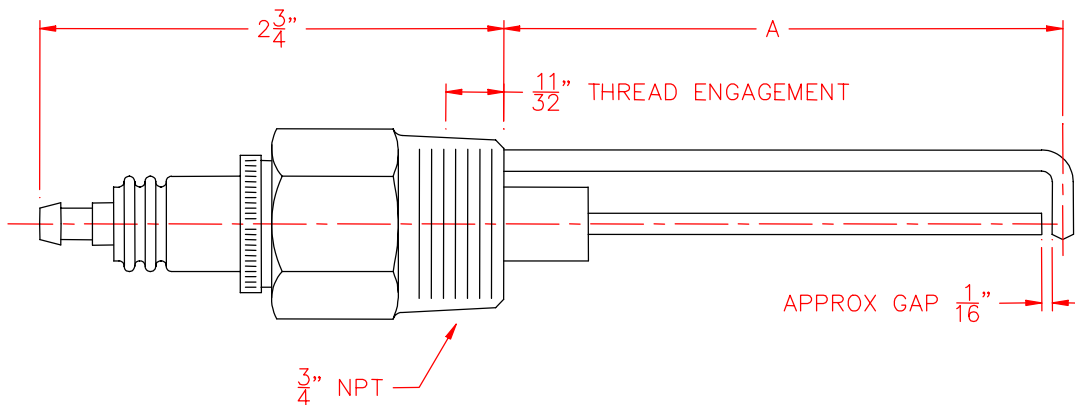
# ACCESSORIES

## MISCELLANEOUS ELECTRODES AND MOUNTING BRACKETS

BULLETIN 5805  
PAGE NO. 2



### DIMENSIONS -- 5805-DSE SERIES



Model Number	A	B	Used On	Approx. Weight	
				Lbs.	Kgs.
DSE- 1	2-1/8"	1-1/2"	301NM THRU 2501NM, 10XNM THRU 24XNM, HS7	0.5	0.2
DSE- 2	4-1/8"	3-1/2"	SW4		
DSE- 3	1-3/16"	9/16"	4HS		
DSE- 5	2-7/8"	2-1/4"	RE1, RE2; 16XDF & 24XDF (GAS ONLY)		
DSE- 6	2-1/2"	1-7/8"	SW1		
DSE- 7	3-7/8"	3-1/4"	SW2, SW3		
DSE- 8	5-1/4"	4-5/8"	SW5, SW6		
DSE-10	-----	-----	201NM		
DSE-11	4-3/4"	4-1/8"	48XNM, 4001NM		

Other sizes available by request.  
1" x 3/4" bushing required on DSE-8 and DSE-11.

### ORDERING INFORMATION

Please include the following information with your order:

1. Specify Model Number and Quantity each item required.
2. Shipping Instructions.